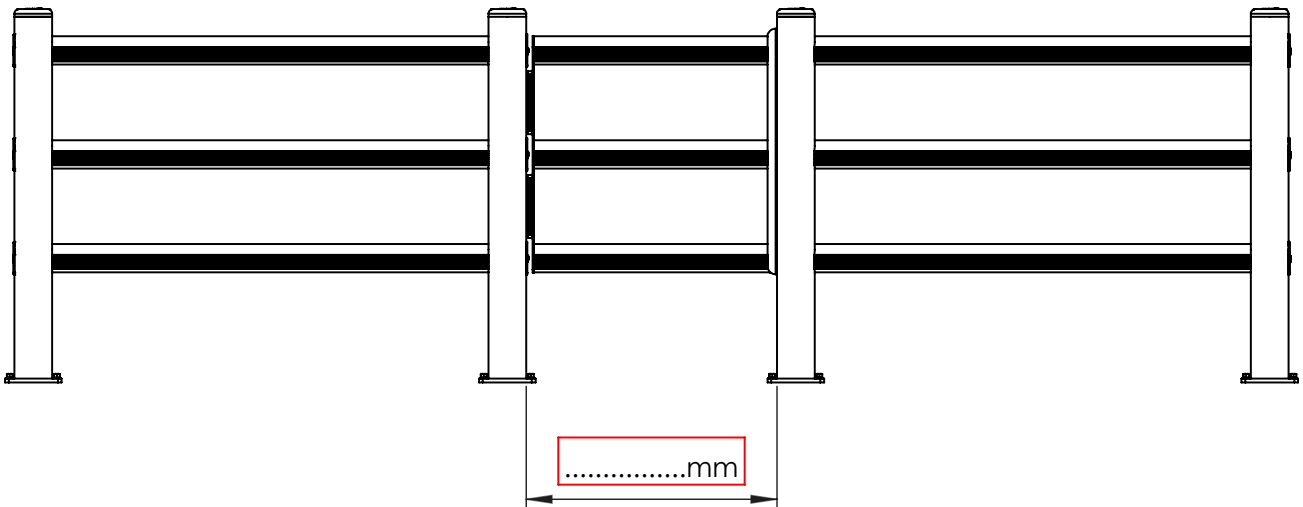


03. GUARD RAIL PEDESTRIAN SAFETY BARRIERS

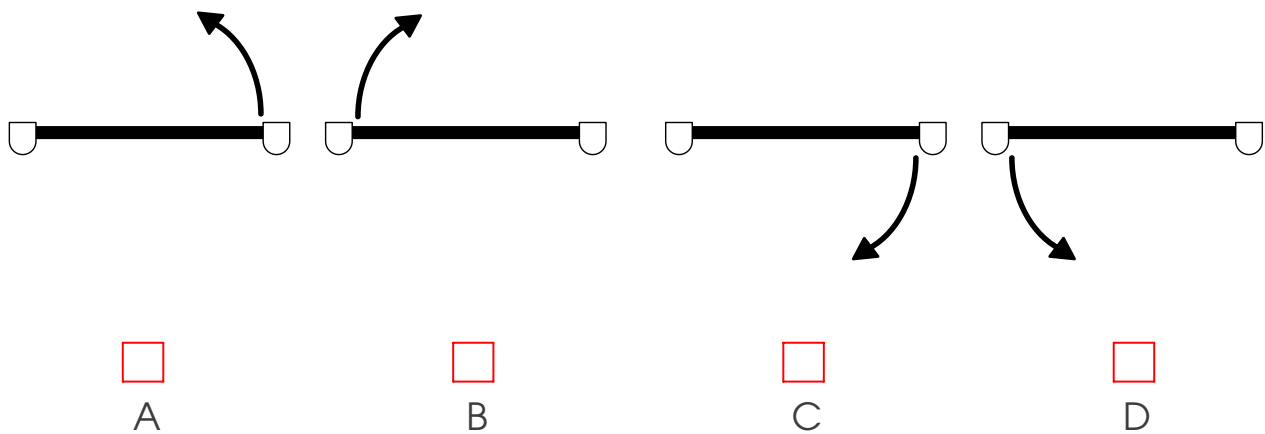
DP 150

SPORTELLO PEDESTRIAN 150
DOOR PEDESTRIAN 150

PLEASE CHECK HERE BELOW
HOW THE SIZE OF THE DOOR IS TO BE MEASURED

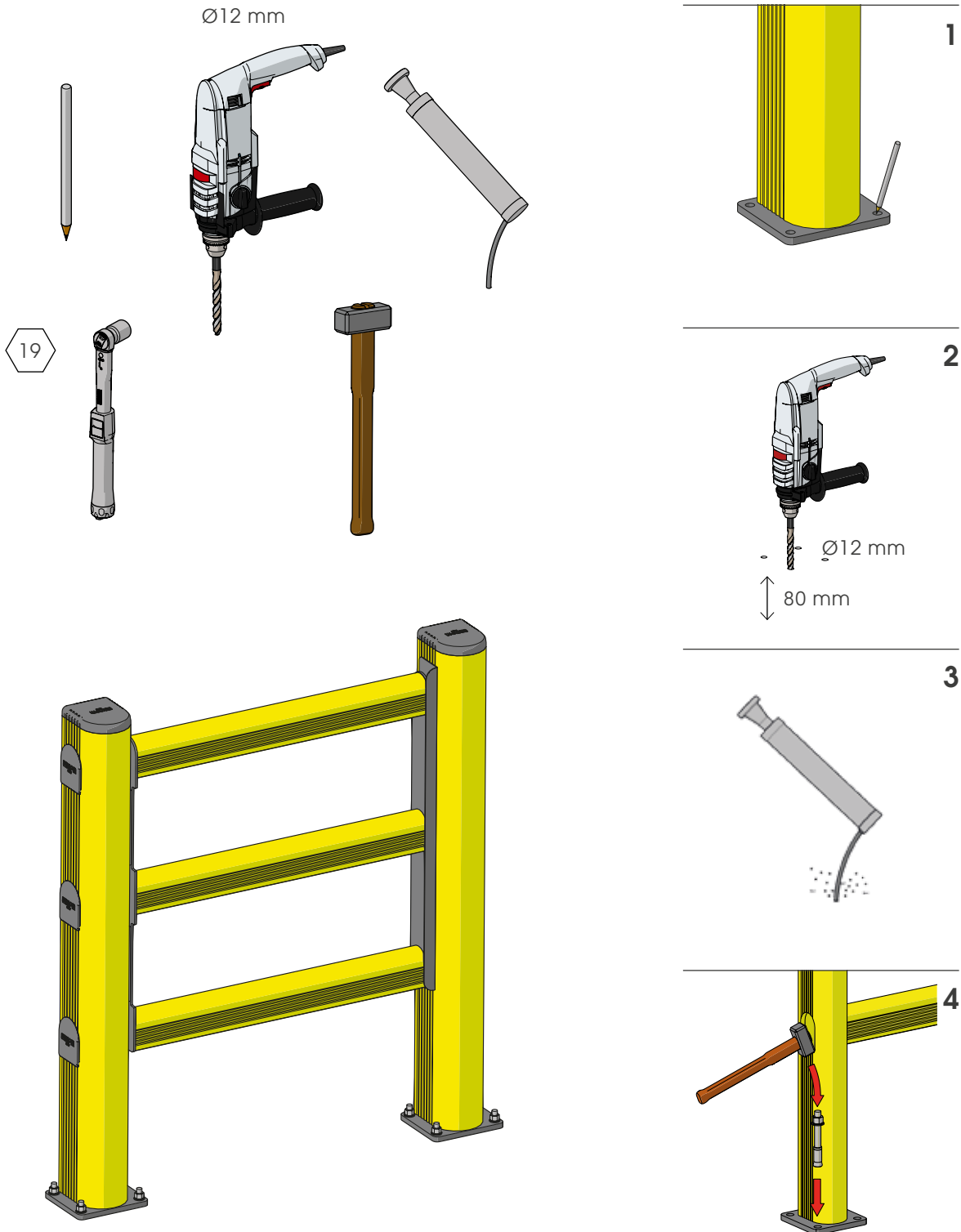


PLEASE CHECK HERE BELOW
WHICH DIRECTION OF OPENING YOU NEED



DP 150

ISTRUZIONI DI INSTALLAZIONE
ASSEMBLY INSTRUCTIONS

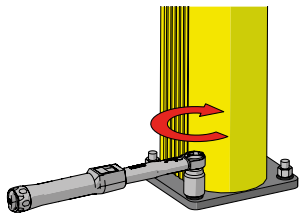


DP 150

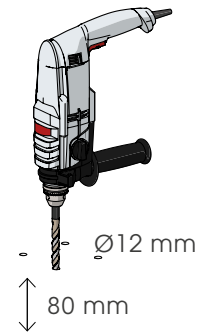
ISTRUZIONI DI INSTALLAZIONE
ASSEMBLY INSTRUCTIONS

T=60Nm

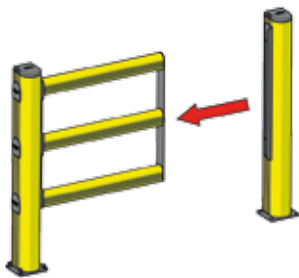
5



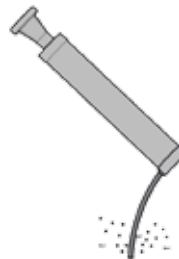
9



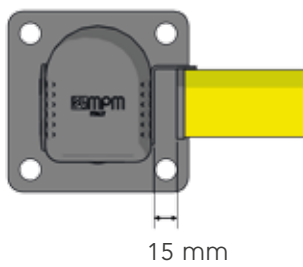
6



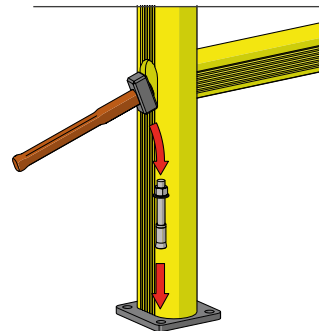
10



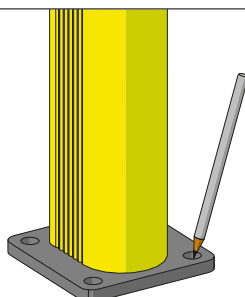
7



11



8



T=60Nm

12

