

GR 90

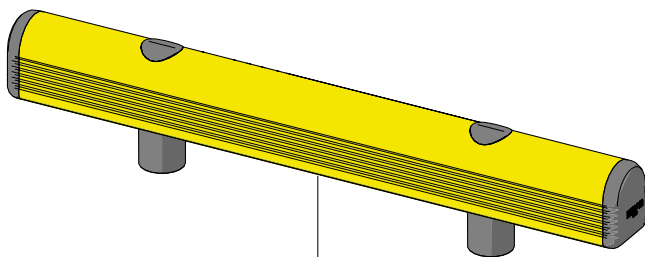
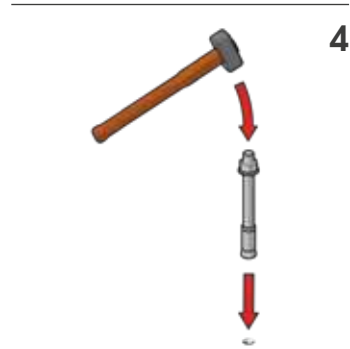
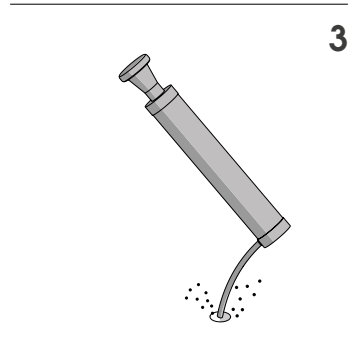
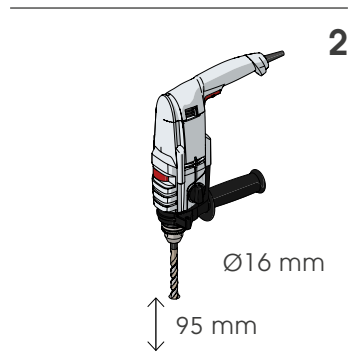
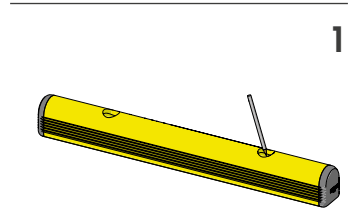
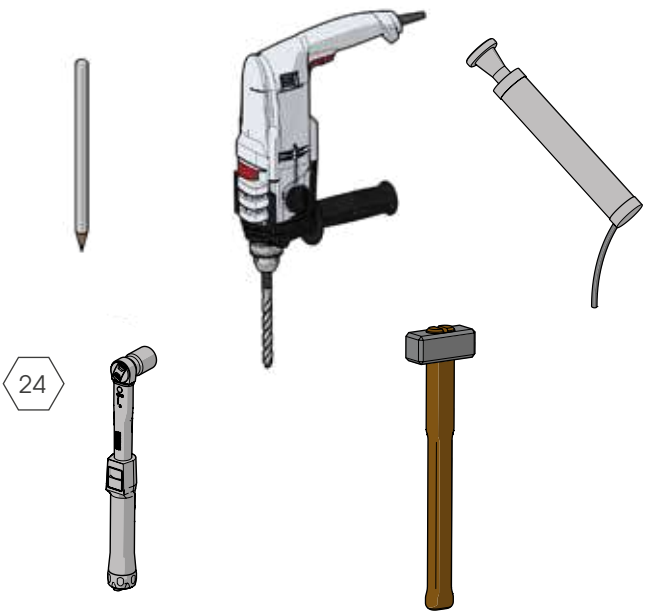
ISTRUZIONI DI INSTALLAZIONE
ASSEMBLY INSTRUCTIONS



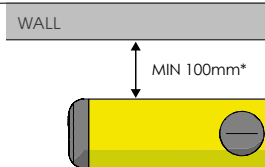
M16 GALVANISED STEEL

WITH EXPANSION SCREW

Ø16 mm



WARNING
The distance of installation depends on speed and weight of vehicle



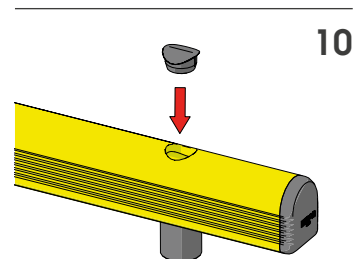
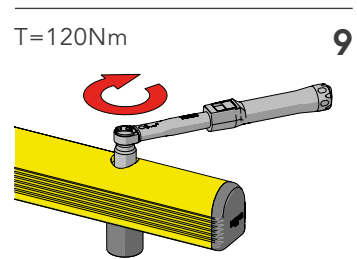
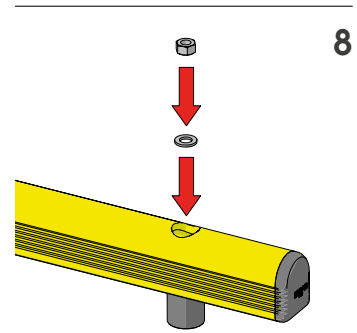
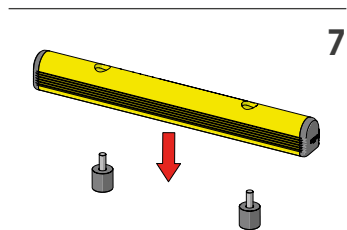
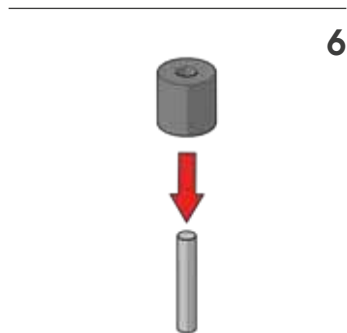
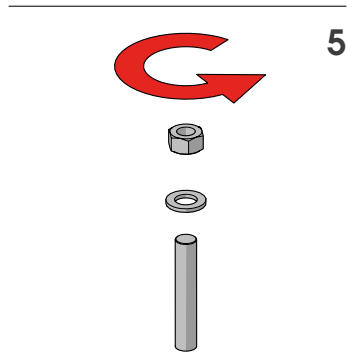
GR 90

ISTRUZIONI DI INSTALLAZIONE
ASSEMBLY INSTRUCTIONS



M16 GALVANISED STEEL

WITH EXPANSION SCREW



GR 90

ISTRUZIONI DI INSTALLAZIONE
ASSEMBLY INSTRUCTIONS



M16 STAINLESS STEEL



ANCHOR

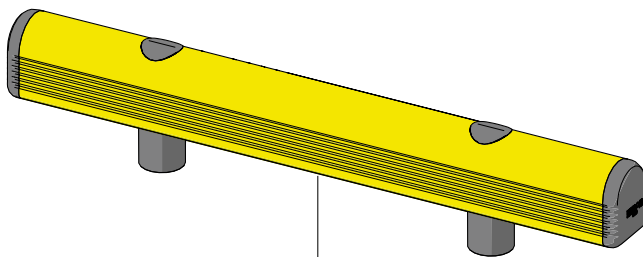
WITH RESIN

CHEMICAL ANCHOR

Ø18 mm

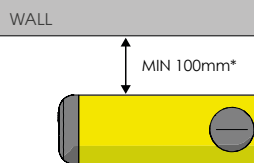


24

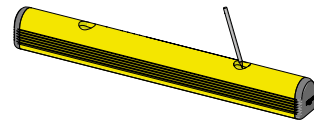


WARNING

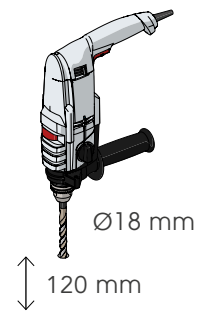
The distance of installation depends on speed and weight of vehicle



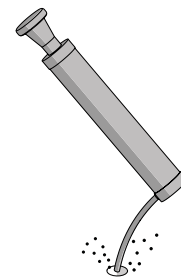
1



2



3



4



GR 90

ISTRUZIONI DI INSTALLAZIONE
ASSEMBLY INSTRUCTIONS



M16 STAINLESS STEEL



ANCHOR

WITH RESIN

