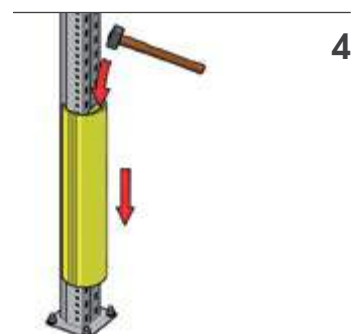
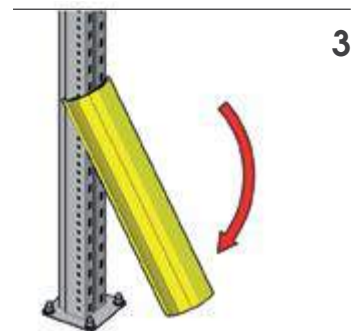
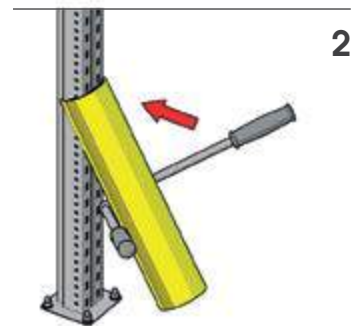
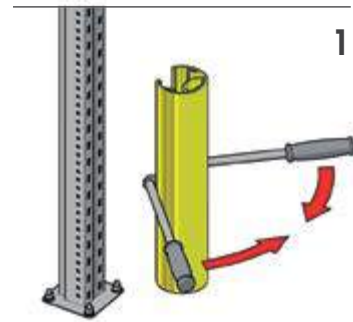
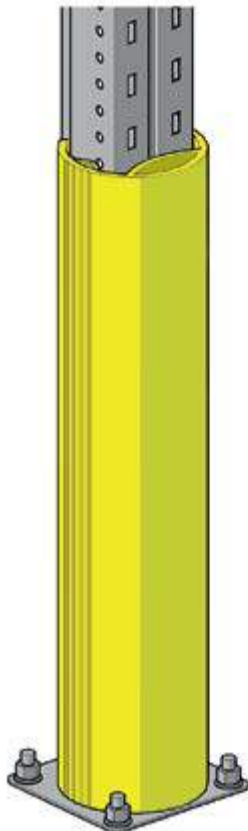
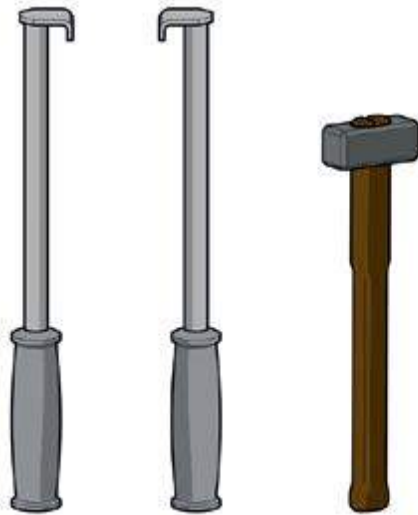


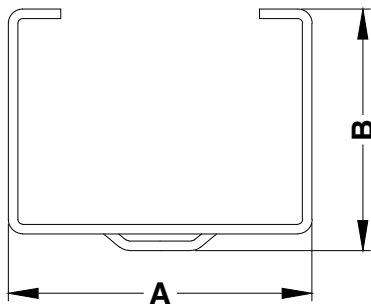
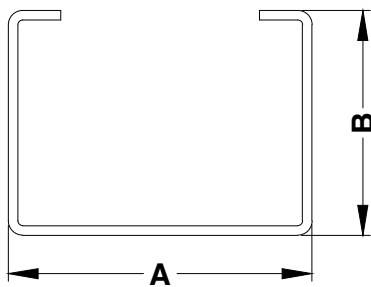
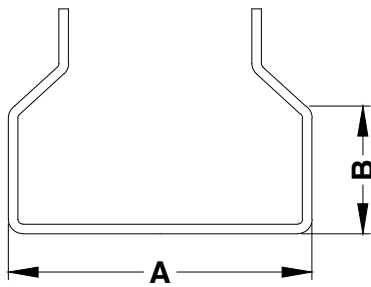
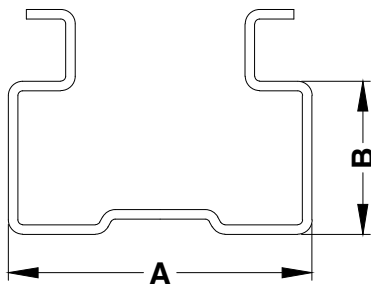
RPS/RPM/RPL/RPXL

ISTRUZIONI DI INSTALLAZIONE
ASSEMBLY INSTRUCTIONS



UPRIGHT SIZE LAYOUT

PLEASE **CHECK SIZE** MENTIONED AS "A" AND "B"
ON YOUR UPRIGHT IN ORDER TO CHOOSE THE RIGHT PVC PROTECTOR
CUSTOMIZED PROTECTORS AVAILABLE ON REQUEST



RACK PROTECTOR	A	B
RPS	70	50
	75	45
	75	50
	76	50
	80	35
	80	40
	80	42
	80	44
	80	45
	80	50
	85	40
	85	45
	85	50
RPM	90	35
	80	57
	80	60
	90	48
	90	50
	90	60
	100	45
100	50	
100	55	
RPL	120	60
	122	69
	130	60
	130	65